



drive™

www.drivemedical.com

Rev.03.02.23.17

lifetime limited warranty

Your Drive branded product is warrantied to be free of defects in materials and workmanship for the lifetime of the product for the original consumer purchaser.

This device was built to exacting standards and carefully inspected prior to shipment. This Lifetime Limited Warranty is an expression of our confidence in the materials and workmanship of our products and our assurance to the consumer of years of dependable service.

This warranty does not cover device failure due to owner misuse or negligence, or normal wear and tear. The warranty does not extend to non-durable components, such as rubber accessories, casters, and grips, which are subject to normal wear and need periodic replacement.

If you have a question about your Drive device or this warranty, please contact an authorized Drive dealer.



drive™

© 2015 Medical Depot, Inc. All rights reserved.
Drive is a trademark of Medical Depot, Inc.
Port Washington N.Y. 11050 USA Made in China

bariatric
transfer bench

item #12025KD-1
#12025KD-2



EU Authorized Representative
Drive Medical LTD
Ainley's Industrial Estate
Elland, West Yorkshire,
United Kingdom HX5 9JP

www.drivemedical.com



drive™

assembly instructions

1. Remove contents from carton.
2. Lay transfer bench upside down on a flat surface.
3. Attach leg with the large suction cup by depressing the brass push pin and inserting into the receptacle. Repeat for second leg (Figure 1).
Note: These legs are inserted into the same side that the arm support will be.

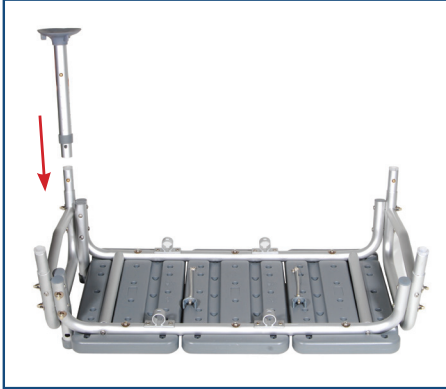


figure 1

4. Attach leg with small rubber tip by depressing brass push pin and inserting into the receptacle. Repeat for second leg (Figure 2).



figure 2

5. To assemble backrest, insert pole into backrest support and lock in place using attached locking collar. Repeat for second pole (Figure 3).

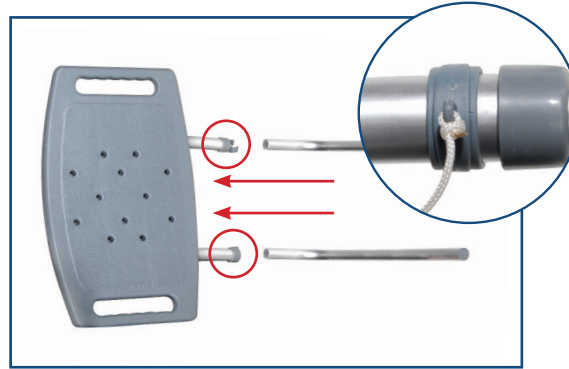


figure 3

6. Insert backrest into base by sliding supports through both receptacles and locking in place using attached locking collars,
Note: backrest must go through both sets of receptacles to become secure (Figure 4).

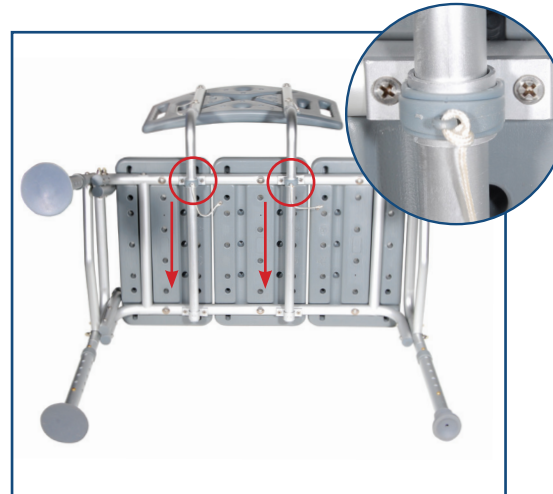


figure 4

7. Turn transfer bench right-side-up. Attach armrest by depressing brass push pins and sliding into the arm receptacle on the side of the bench. Make sure the arm arcs outward, not inward (Figure 5).



figure 5

NOTE: Back support is reversible to accommodate left or right tub entry.

8. Place legs with suction cups into bath tub.
NOTE: Pull Tab on the suction cup to release from the tub.
Adjust legs to the need of the patient.
The transfer bench must be level to avoid damage or injury.



Weight capacity: 500 lbs (227 Kg)

How to Choose the Right Shower Chair



What is the purpose of a shower chair?

Shower chairs provide assistance to those who need to sit while bathing. These chairs increase safety for individuals who are at risk for slips, trips and falls.



What kind of shower chair do I need?

Types of Shower Chairs

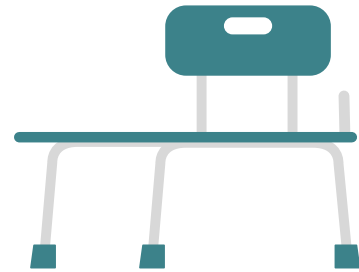
There are different types of shower chairs to aid people with varying levels of mobility. Choosing the right one will make all the difference.



Bath Stool



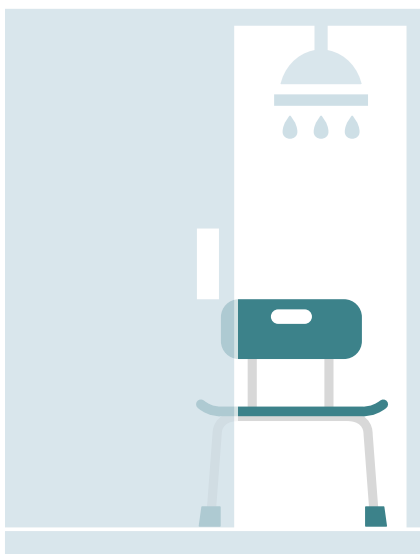
Shower Chair



Transfer Bench

1: Choose Based on Environment

Your bathroom environment will determine what style shower chair is right for you.



Walk-In Shower



Bath Stool | Shower Chair

Make sure product will fit comfortably.

If other family members share the bathroom, consider choosing an item that can easily be removed from the space.



Bathtub



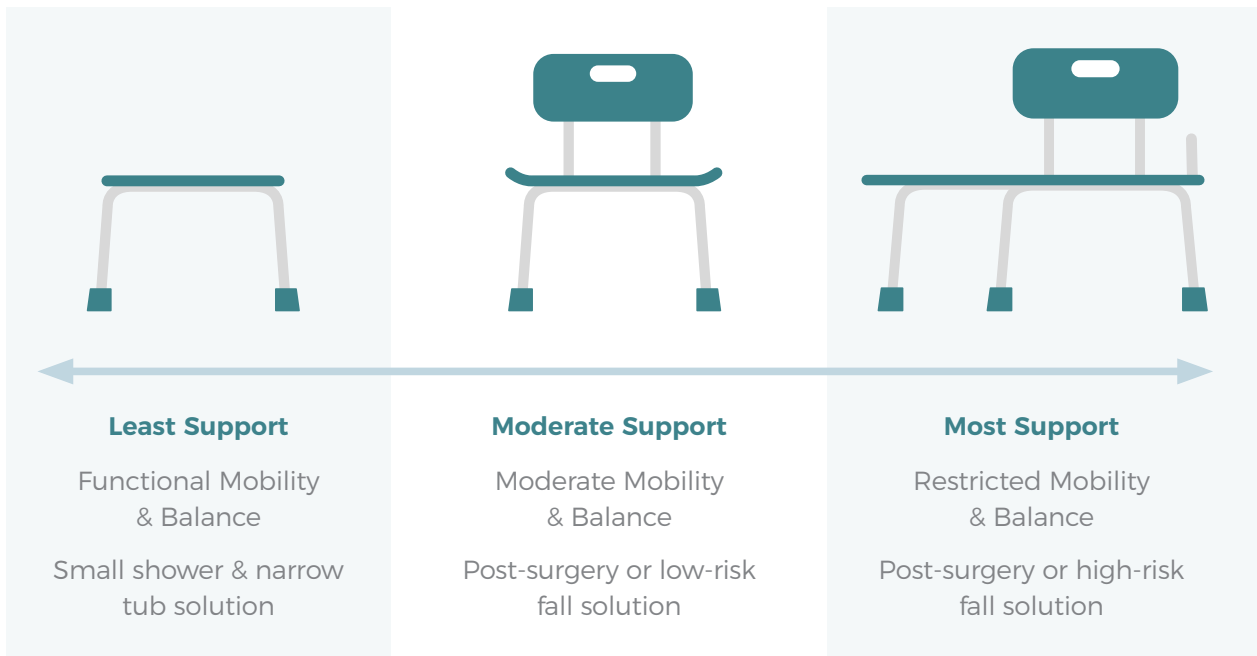
Bath Stool | Shower Chair

Measure the width of the base of the tub (from the inside). For proper fit, ensure the outside leg dimensions of the product are smaller than the base width of the tub.

Transfer Bench

Ensure there is enough room outside the tub for safe transfer. Measure the distance from the top of tub to the floor. This measurement must be more than the product seat height specifications to ensure proper clearance.

2: Choose Based on Mobility & Support

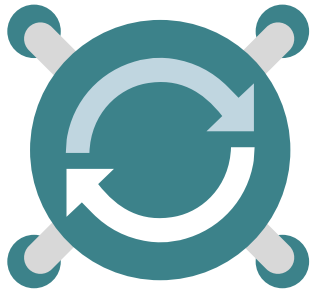


3: Choose Based on Weight Capacity

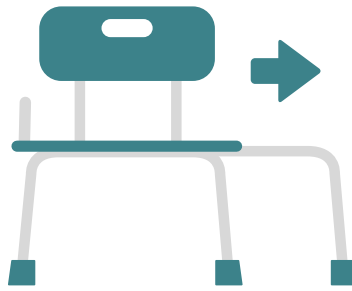


The weight capacity of standard shower chairs ranges from 250 to 400 pounds with additional bariatric models available.

4: Choose a Standard or Specialty Model



Rotating Seat



Sliding Seat

Shower chairs with a rotating or sliding feature allow for easier transfer and aid in preventing friction and shearing injuries.

Helpful Hints



Bath Stools & Shower Chairs

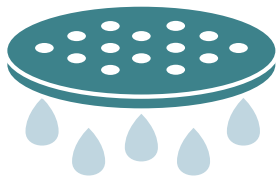
Adjust the height to ensure your feet are flat on the floor.

Make sure all legs are at the same height.

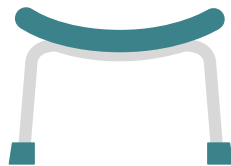
Transfer Benches

Be aware of the difference between the floor of your bathroom and the floor of the tub when adjusting legs.

Additional Features to Choose From



Water Drainage
Holes



Contoured Seat



Padded Seat
and Backrest



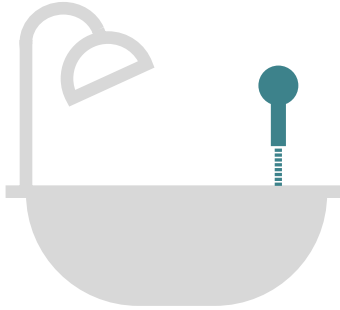
Armrests

Safety Considerations



- 1 Ensure the leg extensions are securely locked into place.
- 2 Be sure all leg extensions are touching the floor.
- 3 Rubber tips aid in preventing slipping upon entry and exit of the tub or shower.

Additional Bathroom Safety Items



Shower Sprays

Pair a shower spray with a shower chair to aid in cleansing. Some products feature a shower spray cutout to allow for ease of access.

[Learn More](#)

Tub Rails

Pair a tub rail with a bath stool or shower chair to aid in transfer in and out of the tub.

[Learn More](#)

Bellavita Bath Lift

A premium option for individuals who want to enjoy a true bath experience, the Bellavita (477200252) allows the user to independently sit all the way down in the tub, soak and recline.

[Learn More](#)

Bath Mats

Pair a shower chair with an AquaSense bath mat that accommodates specialized bath seating without compromising stability.

[Learn More](#)